



Gas Furnaces 92AF

PRODUCT SPECIFICATIONS

INSTALLATION OPTIONS

- Available in Upflow/Horizontal and Counterflow models

HEAT EXCHANGER

- Aluminized steel tapered design primary heat exchanger with crimped construction for long life
- Stainless steel secondary heat exchanger
- Flue Condensate Trap furnished

BURNERS

- Aluminized steel inshot burners for smooth combustion

CABINET CONSTRUCTION

- Unitized construction for cabinet integrity
- Bottom or side return air
- Baked on pre-painted steel cabinet finish
- Left or right side gas and electric entry

BLOWER

- Easily removable slide-out blower design
- PSC multi-speed permanently lubricated blower motor for low maintenance and optimum efficiency

CONTROLS

- Single stage gas valve
- Integrated ignition and fan control board features self diagnostics
- Hot surface ignitor

VENTING

- One or two pipe venting ready

92.1% AFUE
44,000 to 132,000 Btuh Input
1.5 to 5 Tons Add-On Cooling



Upflow /
Horizontal



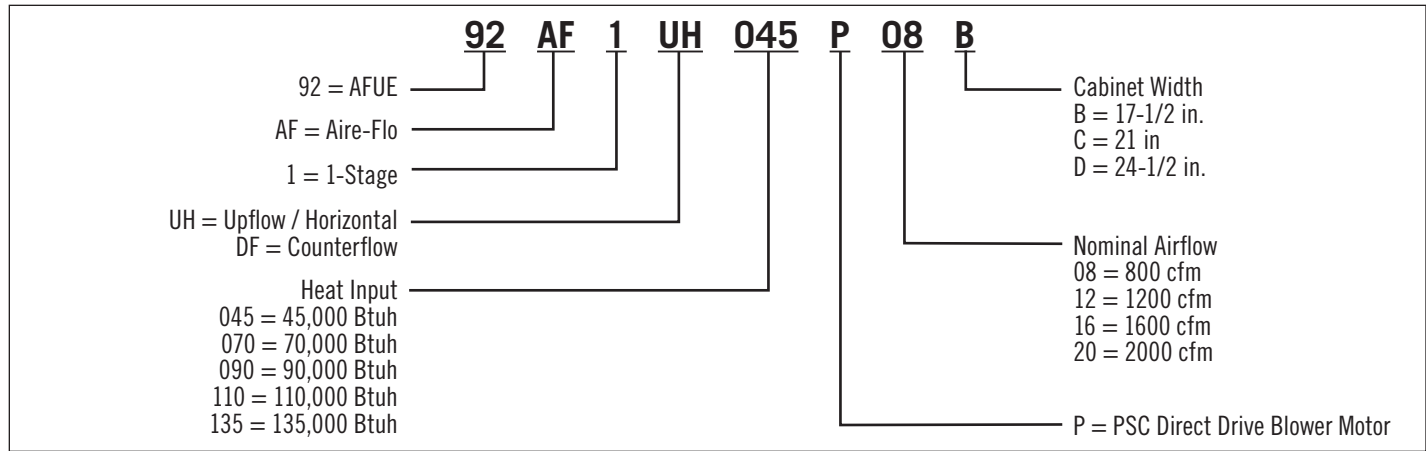
Counterflow

Warranty
Heat Exchanger - 20 Year Limited
Parts - 5 Year Limited

Gas Furnaces

92AF

Model Number Identification



Specifications

Model No.	92AF1UH045P08B	92AF1UH045P12B	92AF1UH070P08B	92AF1UH070P12B	92AF1UH090P12C	92AF1UH090P16C	92AF1UH110P16C
	Upflow / Horiz.	Upflow / Horiz.	Upflow / Horiz.	Upflow / Horiz.	Upflow / Horiz.	Upflow / Horiz.	Upflow / Horiz.
Input Btuh	44,000	44,000	66,000	66,000	88,000	88,000	110,000
Output Btuh	41,000	42,000	62,000	62,000	83,000	83,000	104,000
AFUE (Isolated Comb. System)	92.1%	92.1%	92.1%	92.1%	92.1%	92.1%	92.1%
Temperature Rise (°F)	40 - 70	25 - 55	50 - 80	40 - 70	50 - 80	40 - 70	50 - 80
Gas Pipe Size (in.)	1/2	1/2	1/2	1/2	1/2	1/2	1/2
Inlet/Vent Connection in. (diameter)	2	2	2	2	2	2	2
Volts/Hertz/Phase	120/60/1	120/60/1	120/60/1	120/60/1	120/60/1	120/60/1	120/60/1
Blower Motor Horsepower	1/5	1/3	1/5	1/3	1/3	1/2	1/2
Add-On Cooling (tons)	1.5-2	2.5-3	1.5-2	2.5-3	2-3	3-4	4
Circuit Breaker or Fuse	15	15	15	15	15	15	15
Full Load Amps	3.1	6.1	3.1	6.1	6.1	8.2	8.2
Blower Wheel Size (Dia. x Width)	10 x 8	10 x 8	10 x 8	10 x 8	10 x 8	10 x 10	10 x 10
Shipping Weight (lbs.)	120	122	125	127	143	146	155

Model No.	92AF1UH110P20C	92AF1UH135P20D	92AF1DF045P12B	92AF1DF070P12B	92AF1DF090P16C	92AF1DF110P20C
	Upflow / Horiz.	Upflow / Horiz.	Counterflow	Counterflow	Counterflow	Counterflow
Input Btuh	110,000	132,000	44,000	66,000	88,000	110,000
Output Btuh	104,000	124,000	42,000	62,000	84,000	104,000
AFUE (Isolated Comb. System)	92.1%	92.1%	92.1%	92.1%	92.1%	92.1%
Temperature Rise (°F)	40 - 70	45 - 75	25 - 55	50 - 80	40 - 70	50 - 80
Gas Pipe Size (in.)	1/2	1/2	1/2	1/2	1/2	1/2
Inlet/Vent Connection in. (diameter)	2	2	2	2	2	2
Volts/Hertz/Phase	120/60/1	120/60/1	120/60/1	120/60/1	120/60/1	120/60/1
Blower Motor Horsepower	1	1	1/3	1/3	1/2	1
Add-On Cooling (tons)	4-5	4-5	2.5-3	2.5-3	3-4	4-5
Circuit Breaker or Fuse	15	15	15	15	15	15
Full Load Amps	11.5	11.5	6.1	6.1	8.2	11.5
Blower Wheel Size (Dia. x Width)	11 1/2 x 10	11 1/2 x 10	10 x 8	10 x 8	10 x 10	11 1/2 x 10
Shipping Weight (lbs.)	161	178	124	129	147	162

Gas Furnaces

92AF

Accessories

Model No.	92AF1UH045P08B 92AF1UH045P12B 92AF1UH070P08B 92AF1UH070P12B		92AF1UH090P12C 92AF1UH090P16C 92AF1UH110P16C 92AF1UH110P20C		92AF1UH135P20D	92AF1DF045P12B 92AF1DF070P12B	92AF1DF090P16C 92AF1DF110P20C
	Upflow / Horizontal		Upflow / Horizontal		Upflow / Horizontal	Counterflow	Counterflow
CABINET							
Combustible Flooring Base (Counterflow)	---		---		---	11M60	11M61
Horizontal Suspension Kit (Horizontal)	51W10		51W10		51W10	---	---
Return Air Base (Upflow)	50W98		50W99		51W00	---	---
DRAIN KIT							
Condensate Drain Heat Cable	6 ft.	26K68	26K68	26K68	26K68	26K68	26K68
	24 ft.	26K69	26K69	26K69	26K69	26K69	26K69
	50 ft.	26K70	26K70	26K70	26K70	26K70	26K70
Heat Cable Tape - Fiberglass ½ in. x 66 ft.	36G53		36G53		36G53	36G53	36G53
Crawlspace Vent Drain Kit	51W18		51W18		51W18	51W18	51W18
FILTER KITS							
¹ Air Filter and Rack Kit (Upflow/Horizontal)	Horizontal (end)	87L96 (18 x 25 x 1)	87L97 (20 x 25 x 1)	87L98 (25 x 25 x 1)	---	---	---
	Side Return (Upflow)	Single	44J22	44J22	44J22	---	---
		10-pack	66K63	66K63	66K63	---	---
		Size	16 x 25 x 1	16 x 25 x 1	16 x 25 x 1	---	---
¹ Air Filter and Rack Kit (Counterflow)	---		---	---	51W07 (2) 20 x 20 x 1	51W08 (2) 20 x 20 x 1	
GAS HEATING							
Natural to LP Conversion Kit	0-7500 ft.	69W73	69W73	69W73	69W73	69W73	69W73
LP to Natural Conversion Kit	0-7500 ft.	73W81	73W81	73W81	73W81	73W81	73W81
High Altitude Pressure Switch Kit	4501-7500 ft.	93W87	93W87	93W87	93W87	93W87	93W87
	7501-10,000 ft.	93W88	93W88	93W88	93W88	93W88	93W88
Natural Gas High Altitude Orifice Kit	7501-10,000 ft.	73W37	73W37	73W37	73W37	73W37	73W37
LP High Altitude Orifice Kit	7501-10,000 ft.	68W68	68W68	68W68	68W68	68W68	68W68
² 36K Derate Kit (Natural Gas)	0-10,000 ft.	10K55 (045)	---	---	10K55 (045)	---	---
NIGHT SERVICE KIT							
Night Service Kit	68W80		68W80		68W80	68W80	68W80
VENTING							
Concentric Vent Kit	2 in. (US)	71M80	69M29	---	71M80	69M29	---
	3 in. (US)	---	60L46	60L46	---	60L46	---
	2 in. (Canada)	44W92	44W92	---	44W92	44W92	---
	3 in. (Canada)	---	44W93	44W93	---	44W93	---
Flush Mount	2, 2-1/2 or 3 in. (US)	51W11	51W11	51W11	51W11	51W11	51W11
	2, 2-1/2 or 3 in. (Canada)	51W12	51W12	51W12	51W12	51W12	51W12
Wall - Close Couple	2 in. (US)	22G44	---	---	22G44	---	---
	3 in. (US)	44J40	44J40	44J40	44J40	44J40	44J40
Wall - Close Couple WTK	2 in. (Canada)	30G28	---	---	30G28	---	---
	3 in. (Canada)	81J20	81J20	81J20	81J20	81J20	81J20
Roof	2 in.	15F75	15F75	---	15F75	15F75	---
Wall Ring Kit	2 in.	15F74	⁴ 15F74	---	15F74	⁴ 15F74	---
³ Flashing Kit	2 in.	44J41	44J41	44J41	44J41	44J41	44J41

¹ Cleanable polyurethane frame type filter.

² NOTE: 36K Derate Kit Information - Reduced Input is 36,000 Btuh, output is 33,000 Btuh.

³ Kits contain enough parts for two, non-direct vent installations.

⁴ Non-direct vent only.

NOTE - Termination Kits 44W92, 44W93, 30G28, 51W12, 81J20 are certified to ULC S636 standard for use in Canada only.

Gas Furnaces

92AF

Blower Data

Model No.	Blower Speed	¹ CFM @ External Static Pressure - in w.c. Less Filter									
		.00	.10	.20	.30	.40	.50	.60	.70	.80	.90
92AF1UH045P08B (Upflow / Horizontal)	High	1140	1135	1125	1090	1065	1020	945	910	790	735
	Med/High	920	900	895	870	870	825	780	740	670	575
	Med/Low	765	765	755	725	715	675	640	585	510	460
	Low	710	690	680	660	635	605	555	505	455	390
92AF1UH045P12B (Upflow / Horizontal)	High	1600	1600	1550	1480	1425	1355	1320	1225	1135	1025
	Med/High	1370	1355	1330	1295	1280	1190	1165	1110	1050	950
	Med/Low	1160	1155	1150	1140	1105	1085	1030	975	920	800
	Low	1005	1015	1000	975	975	940	900	855	780	700
92AF1UH070P08B (Upflow / Horizontal)	High	1140	1135	1125	1090	1065	1020	945	910	790	735
	Med/High	920	900	895	870	870	825	780	740	670	575
	Med/Low	765	765	755	725	715	675	640	585	510	460
	Low	710	690	680	660	635	605	555	505	455	390
92AF1UH070P12B (Upflow / Horizontal)	High	1615	1565	1535	1440	1405	1340	1255	1165	1060	955
	Med/High	1355	1365	1340	1300	1255	1200	1125	1080	990	895
	Med/Low	1140	1150	1150	1110	1075	1045	995	935	870	750
	Low	1030	1020	1025	1000	975	945	875	820	750	660
92AF1UH090P12C (Upflow / Horizontal)	High	1620	1610	1565	1525	1485	1431	1365	1295	1200	1060
	Med/High	1340	1335	1335	1300	1295	1260	1210	1155	1065	955
	Med/Low	1130	1135	1145	1135	1110	1090	1035	995	930	820
	Low	965	975	970	970	960	940	900	860	745	695
92AF1UH090P16C (Upflow / Horizontal)	High	2025	1995	1925	1850	1790	1700	1610	1540	1415	1270
	Med/High	1690	1705	1675	1640	1575	1540	1455	1365	1265	1165
	Med/Low	1395	1390	1405	1400	1395	1350	1295	1225	1125	1060
	Low	1200	1205	1205	1170	1170	1140	1100	1030	980	900
92AF1UH110P16C (Upflow / Horizontal)	High	2030	1950	1935	1885	1830	1750	1660	1540	1420	1290
	Med/High	1750	1755	1675	1660	1585	1565	1485	1380	1290	1175
	Med/Low	1425	1430	1455	1410	1385	1320	1280	1230	1140	1045
	Low	1225	1215	1230	1200	1190	1165	1105	1060	945	850
92AF1UH110P20C (Upflow / Horizontal) Single Side Return Air - Air volumes in bold require field fabricated transition to accommodate 20 x 25 x 1 in. air filter in order to maintain proper air velocity.	High	2520	2555	2465	2370	2275	2185	2060	1930	1825	1665
	Med/High	2135	2135	2105	2045	1990	1930	1850	1760	1660	1520
	Med/Low	1750	1775	1775	1750	1730	1690	1650	1580	1505	1415
	Low	1445	1470	1465	1460	1460	1460	1420	1355	1290	1210
Bottom Return Air, Side Return Air with Optional Return Air Base, Return Air from Both Sides or Return Air from Bottom and One Side.	High	2525	2585	2515	2445	2340	2230	2130	2030	1920	1735
	Med/High	2175	2200	2150	2135	2065	1985	1920	1815	1735	1620
	Med/Low	1820	1860	1840	1790	1770	1755	1685	1640	1560	1450
	Low	1465	1475	1490	1500	1500	1470	1425	1405	1350	1270

Notes:

¹ Maximum approved external static pressure is 0.50 in. w.c.

Gas Furnaces

92AF

Blower Data

Model No.	Blower Speed	¹ CFM @ External Static Pressure - in w.c. Less Filter									
		.00	.10	.20	.30	.40	.50	.60	.70	.80	.90
92AF1UH135P20D (Upflow / Horizontal) Single Side Return Air - Air volumes in bold require field fabricated transition to accommodate 20 x 25 x 1 in. air filter in order to maintain proper air velocity.	High	2720	2660	2600	2535	2400	2335	2270	2175	2075	1975
	Med/High	2110	2110	2125	2075	2055	2000	1950	1895	1840	1755
	Med/Low	1670	1725	1750	1750	1715	1725	1720	1665	1605	1540
	Low	1355	1390	1450	1465	1460	1455	1445	1430	1400	1340
Bottom Return Air, Side Return Air with Optional Return Air Base, Return Air from Both Sides or Return Air from Bottom and One Side.	High	2800	2770	2690	2590	2500	2420	2330	2225	2150	2025
	Med/High	2155	2170	2150	2140	2105	2050	2015	1965	1875	1830
	Med/Low	1730	1740	1770	1785	1785	1770	1720	1690	1655	1575
	Low	1375	1415	1450	1455	1475	1465	1460	1450	1435	1375
92AF1DF045P12B (Counterflow)	High	1615	1605	1500	1450	1350	1300	1195	1140	1025	945
	Med/High	1385	1375	1340	1290	1235	1170	1095	1020	920	800
	Med/Low	1205	1195	1165	1125	1090	1035	990	895	840	700
	Low	1045	1035	1015	975	920	875	840	780	695	605
92AF1DF070P12B (Counterflow)	High	1505	1480	1405	1355	1305	1270	1175	1105	1040	920
	Med/High	1310	1295	1255	1225	1165	1110	1080	1000	925	825
	Med/Low	1090	1070	1055	1045	1010	975	925	855	790	680
	Low	940	935	930	900	890	835	815	745	670	560
92AF1DF090P16C (Counterflow)	High	2075	1995	1910	1825	1730	1630	1530	1430	1300	1185
	Med/High	1890	1830	1775	1705	1620	1530	1450	1340	1245	1110
	Med/Low	1625	1590	1575	1530	1475	1405	1330	1260	1145	1045
	Low	1375	1350	1340	1325	1285	1240	1175	1095	1015	915
92AF1DF110P20C (Counterflow)	High	2410	2405	2285	2220	2185	2045	1965	1820	1625	1455
	Med/High	2190	2180	2120	2015	1950	1830	1710	1610	1510	1390
	Med/Low	1860	1855	1850	1770	1750	1680	1575	1495	1400	1350
	Low	1560	1555	1540	1535	1530	1500	1445	1370	1315	1210

Notes:

¹ Maximum approved external static pressure is 0.50 in. w.c.

Clearance to Combustibles (in.)

Sides	¹ 0
Rear	0
Top/Plenum	1
Front	0
Front (service/alcove)	24
Floor	² Combustible

NOTE – Air for combustion must conform to the methods outlined in the National Fuel Gas Code (NFPA 54/ANSI-Z223.1) or the National Standard of Canada CAN/CSA-B149.1 Natural Gas and Propane Installation Code™.

NOTE – In the U.S. flue sizing must conform to the methods outlined in the current National Fuel Gas Code (NFPA 54/ANSI-Z223.1) or applicable provisions of local building codes. In Canada flue sizing must conform to the methods outlined in National Standard of Canada CAN/CSA-B149.1.

¹ Allow proper clearances to accommodate condensate trap and vent pipe installation.

² Do not install the furnace directly on carpeting, tile, or other combustible materials other than wood flooring.

Gas Furnaces 92AF

Vent Lengths - Feet - Upflow / Horizontal

NOTE - Size intake and exhaust pipe length separately. Values in table are for Intake OR Exhaust, not combined total. Both Intake and Exhaust must be same pipe size.

STANDARD TERMINATION AT ELEVATION 0 - 4500 ft.																
Pipe Size		2 in.					2-1/2 in.					3 in.				
Input		045	070	090	110	135	045	070	090	110	135	045	070	090	110	135
No. of 90° elbows used	1	76	61	39	19	N/A	110	95	63	38	N/A	132	132	113	113	109
	2	71	56	34	14	N/A	105	90	58	33	N/A	127	127	108	108	104
	3	66	51	29	N/A	N/A	100	85	53	28	N/A	122	122	103	103	99
	4	61	46	24	N/A	N/A	95	80	48	23	N/A	117	117	98	98	94
	5	56	41	19	N/A	N/A	90	75	43	18	N/A	112	112	93	93	89
	6	51	36	14	N/A	N/A	85	70	38	13	N/A	107	107	88	88	84
	7	46	31	N/A	N/A	N/A	80	65	33	N/A	N/A	102	102	83	83	79
	8	41	26	N/A	N/A	N/A	75	60	28	N/A	N/A	97	97	78	78	74
	9	36	21	N/A	N/A	N/A	70	55	23	N/A	N/A	92	92	73	73	69
	10	31	16	N/A	N/A	N/A	65	50	18	N/A	N/A	87	87	68	68	64
STANDARD TERMINATION AT ELEVATION 4501 - 10,00 ft.																
Pipe Size		2 in.					2-1/2 in.					3 in.				
Input		045	070	090	110	135	045	070	090	110	135	045	070	090	110	135
No. of 90° elbows used	1	76	61	39	N/A	N/A	110	95	63	38	N/A	132	132	113	113	109
	2	71	56	34	N/A	N/A	105	90	58	33	N/A	127	127	108	108	104
	3	66	51	29	N/A	N/A	100	85	53	28	N/A	122	122	103	103	99
	4	61	46	24	N/A	N/A	95	80	48	23	N/A	117	117	98	98	94
	5	56	41	19	N/A	N/A	90	75	43	18	N/A	112	112	93	93	89
	6	51	36	14	N/A	N/A	85	70	38	13	N/A	107	107	88	88	84
	7	46	31	N/A	N/A	N/A	80	65	33	N/A	N/A	102	102	83	83	79
	8	41	26	N/A	N/A	N/A	75	60	28	N/A	N/A	97	97	78	78	74
	9	36	21	N/A	N/A	N/A	70	55	23	N/A	N/A	92	92	73	73	69
	10	31	16	N/A	N/A	N/A	65	50	18	N/A	N/A	87	87	68	68	64
CONCENTRIC TERMINATION ELEVATION 0 - 4500 ft.																
Pipe Size		2 in.					2-1/2 in.					3 in.				
Input		045	070	090	110	135	045	070	090	110	135	045	070	090	110	135
No. of 90° elbows used	1	68	53	37	17	N/A	100	85	59	34	N/A	116	116	109	109	100
	2	63	48	32	12	N/A	95	80	54	29	N/A	111	111	104	104	95
	3	58	43	27	N/A	N/A	90	75	49	24	N/A	106	106	99	99	90
	4	53	38	22	N/A	N/A	85	70	44	19	N/A	101	101	94	94	85
	5	48	33	17	N/A	N/A	80	65	39	14	N/A	96	96	89	89	80
	6	43	28	12	N/A	N/A	75	60	34	N/A	N/A	91	91	84	84	75
	7	38	23	N/A	N/A	N/A	70	55	29	N/A	N/A	86	86	79	79	70
	8	33	18	N/A	N/A	N/A	65	50	24	N/A	N/A	81	81	74	74	65
	9	28	13	N/A	N/A	N/A	60	45	19	N/A	N/A	76	76	69	69	60
	10	23	N/A	N/A	N/A	N/A	55	40	14	N/A	N/A	71	71	64	64	55
CONCENTRIC TERMINATION ELEVATION 4500 - 10,000 ft.																
Pipe Size		2 in.					2-1/2 in.					3 in.				
Input		045	070	090	110	135	045	070	090	110	135	045	070	090	110	135
No. of 90° elbows used	1	68	53	37	N/A	N/A	100	85	59	34	N/A	116	116	109	109	100
	2	63	48	32	N/A	N/A	95	80	54	29	N/A	111	111	104	104	95
	3	58	43	27	N/A	N/A	90	75	49	24	N/A	106	106	99	99	90
	4	53	38	22	N/A	N/A	85	70	44	19	N/A	101	101	94	94	85
	5	48	33	17	N/A	N/A	80	65	39	14	N/A	96	96	89	89	80
	6	43	28	12	N/A	N/A	75	60	34	N/A	N/A	91	91	84	84	75
	7	38	23	N/A	N/A	N/A	70	55	29	N/A	N/A	86	86	79	79	70
	8	33	18	N/A	N/A	N/A	65	50	24	N/A	N/A	81	81	74	74	65
	9	28	13	N/A	N/A	N/A	60	45	19	N/A	N/A	76	76	69	69	60
	10	23	N/A	N/A	N/A	N/A	55	40	14	N/A	N/A	71	71	64	64	55

Gas Furnaces 92AF

Vent Lengths - Feet - Counterflow

NOTE - Size intake and exhaust pipe length separately. Values in table are for Intake OR Exhaust, not combined total. Both Intake and Exhaust must be same pipe size.

STANDARD TERMINATION AT ELEVATION 0 - 10,000 ft.													
Pipe Size		2 in.				2-1/2 in.				3 in.			
Input		045	070	090	110	045	070	090	110	045	070	090	110
No. of 90° elbows used	1	56	41	19	N/A	95	75	38	N/A	122	122	103	103
	2	51	36	14	N/A	90	70	33	N/A	117	117	98	98
	3	46	31	N/A	N/A	85	65	28	N/A	112	112	93	93
	4	41	26	N/A	N/A	80	60	23	N/A	107	107	88	88
	5	36	21	N/A	N/A	75	55	18	N/A	102	102	83	83
	6	31	16	N/A	N/A	70	50	13	N/A	97	97	78	78
	7	26	11	N/A	N/A	65	45	N/A	N/A	92	92	73	73
	8	21	N/A	N/A	N/A	60	40	N/A	N/A	87	87	68	68
	9	16	N/A	N/A	N/A	55	35	N/A	N/A	82	82	63	63
	10	11	N/A	N/A	N/A	50	30	N/A	N/A	77	77	58	58
CONCENTRIC TERMINATION ELEVATION 0 - 10,000 ft.													
Pipe Size		2 in.				2-1/2 in.				3 in.			
Input		045	070	090	110	045	070	090	110	045	070	090	110
No. of 90° elbows used	1	48	33	17	N/A	85	65	34	N/A	106	106	99	99
	2	43	28	12	N/A	80	60	29	N/A	101	101	94	94
	3	38	23	N/A	N/A	75	55	24	N/A	96	96	89	89
	4	33	18	N/A	N/A	70	50	19	N/A	91	91	84	84
	5	28	13	N/A	N/A	65	45	14	N/A	86	86	79	79
	6	23	N/A	N/A	N/A	60	40	N/A	N/A	81	81	74	74
	7	18	N/A	N/A	N/A	55	35	N/A	N/A	76	76	69	69
	8	13	N/A	N/A	N/A	50	30	N/A	N/A	71	71	64	64
	9	N/A	N/A	N/A	N/A	45	25	N/A	N/A	66	66	59	59
	10	N/A	N/A	N/A	N/A	40	20	N/A	N/A	61	61	54	54

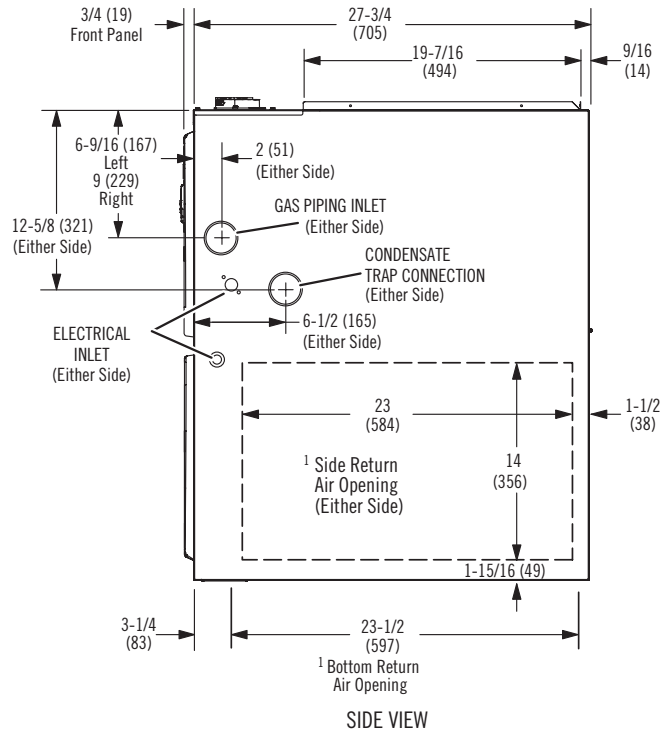
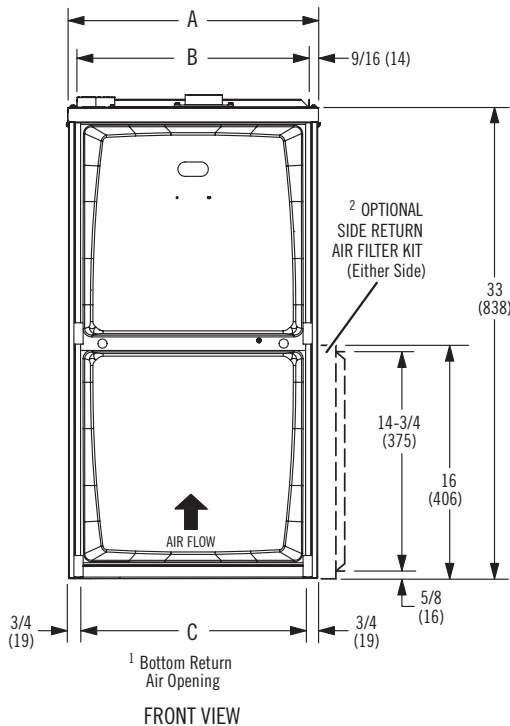
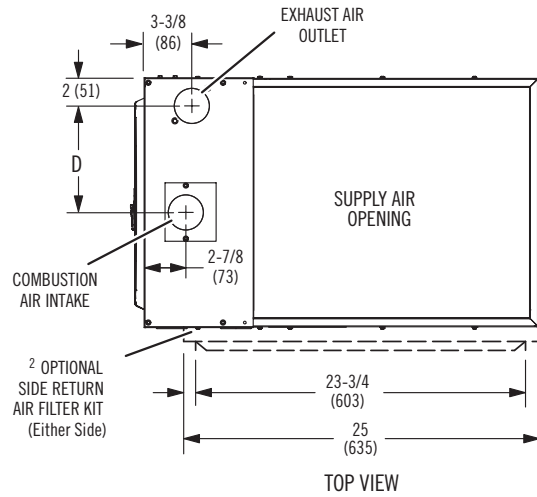
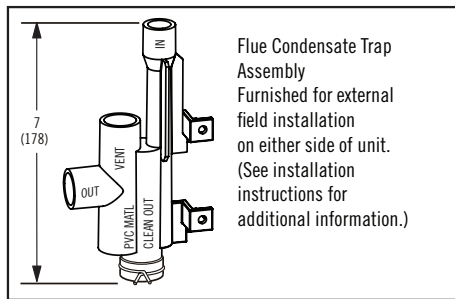
Gas Furnaces 92AF

Dimensions - inches (mm) Upflow

¹ NOTE - 20C and 20D size units that require air volumes over 1800 cfm must have one of the following:

1. Single side return air with transition, to accommodate 20 x 25 x 1 in. cleanable air filter.
Required to maintain proper air velocity.
 2. Single side return air with Optional Return Air Base
 3. Bottom return air.
 4. Return air from both sides.
 5. Bottom and one side return air.
- See Blower Performance Tables for additional information.

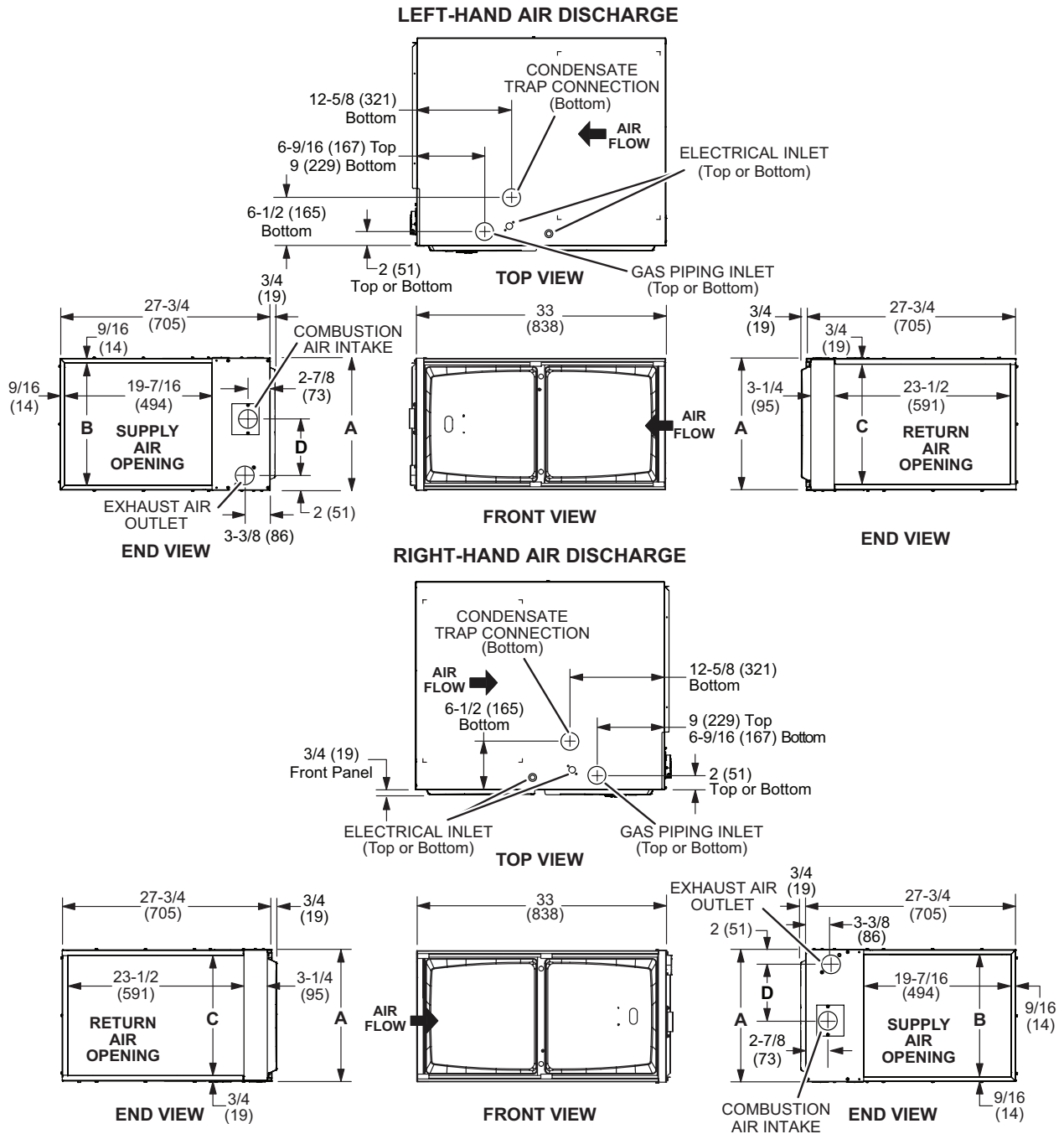
² Optional Side Return Air Filter Kit is not for use with the Optional Return Air Base.



Model No.	A		B		C		D	
	in.	mm	in.	mm	in.	mm	in.	mm
92AF1UH045P08B 92AF1UH045P12B 92AF1UH070P08B 92AF1UH070P12B	17-1/2	446	16-3/8	416	16	406	7-5/8	194
92AF1UH090P12C 92AF1UH090P16C 92AF1UH110P16C 92AF1UH110P20C	21	533	19-7/8	505	19-1/2	495	9-3/8	238
92AF1UH135P20D	24-1/2	622	23-3/8	594	23	584	11-1/8	283

Gas Furnaces 92AF

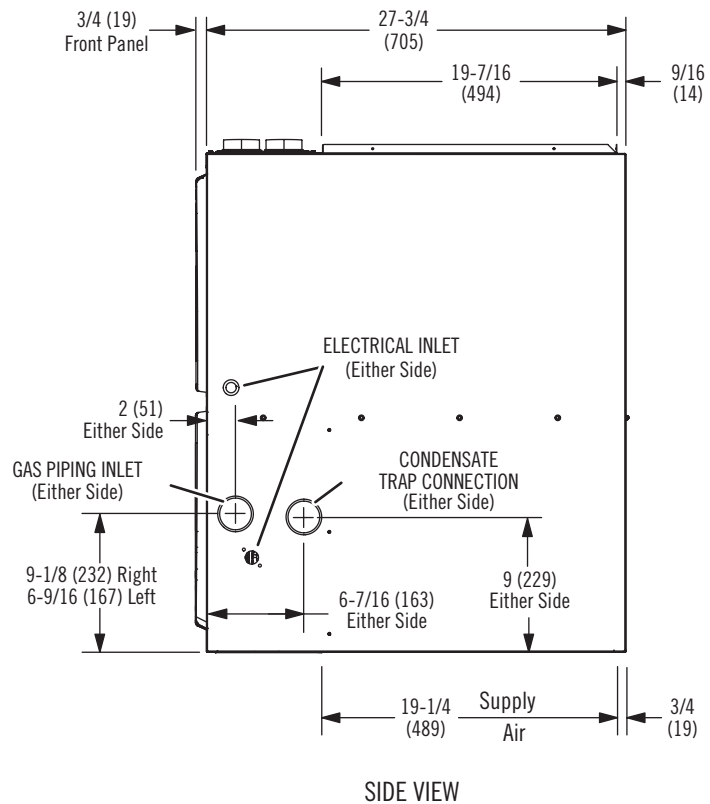
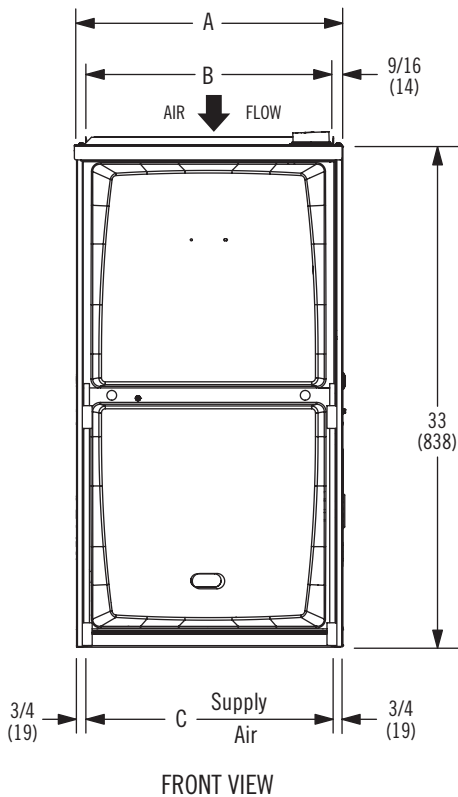
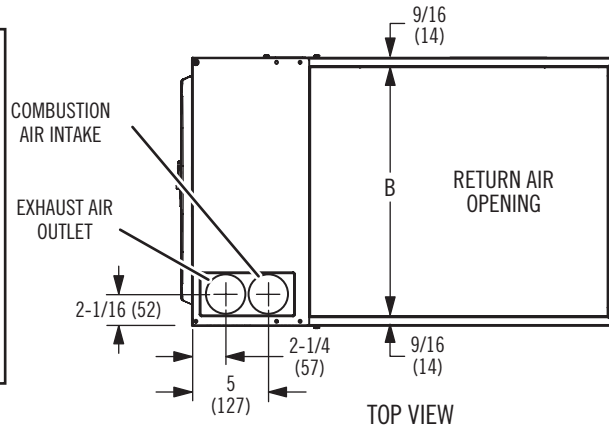
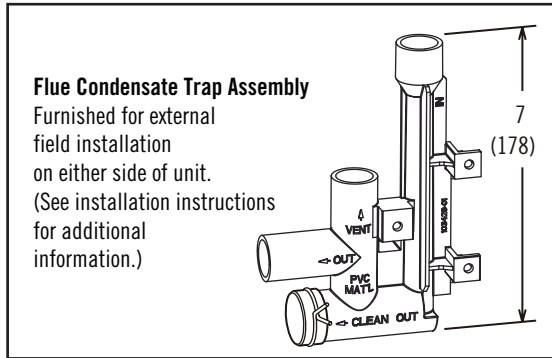
Dimensions - inches (mm) Horizontal



Model No.	A		B		C		D	
	in.	mm	in.	mm	in.	mm	in.	mm
92AF1UH045P08B 92AF1UH045P12B 92AF1UH070P08B 92AF1UH070P12B	17-1/2	446	16-3/8	416	16	406	7-5/8	194
92AF1UH090P12C 92AF1UH090P16C 92AF1UH110P16C 92AF1UH110P20C	21	533	19-7/8	505	19-1/2	495	9-3/8	238
92AF1UH135P20D	24-1/2	622	23-3/8	594	23	584	11-1/8	283

Gas Furnaces 92AF

Dimensions - in. (mm) Counterflow



Model No.	A		B		C	
	in.	mm	in.	mm	in.	mm
92AF1DF045P12B 92AF1DF070P12B	17-1/2	446	16-3/8	416	16	406
92AF1DF090P16C 92AF1DF110P20C	21	533	19-7/8	505	19-1/2	495

Gas Furnaces 92AF

Revisions

Sections	Description of Change
Accessories/Gas Heating	Added 36K Derate Kit.



1.800.982.2333
www.aireflo-hvac.com



210597 (05/13)



© Aire-Flo Heating and Cooling, 2013